

TECHNICAL SHEET

SIATA

V360 - INDUSTRIAL VALVE





SIATA V360 - INDUSTRIAL VALVE

TECHNICAL CHARACTERISTICS



- Side mounted valve
- Up to 32 m³/h flow rate
- Quick pilot connections
- Suited for industrial softening, demineralisation, dealkalisation applications, as well as filtration systems
- High flow rate pistons for improved performances
- Compatible with most of the SIATA controller range

TECHNICAL SPECIFICATIONS

VALVE SPECIFICATIONS

Material	Glassfiber reinforced ABS
Color	Blue or black
Hydrostatic pressure	22 bar
Working pressure	2 to 6 bar
Working temperature	5 to 40°C

FLOW RATE (3,5 bar inlet - valve alone)

Continuous ($\Delta p = 1$ bar)	32 m ³ /h
Peak ($\Delta p = 1.9$ bar)	42 m ³ /h
Cv *	36.8
Maximum backwash ($\Delta p = 1.9$ bar)	15 m ³ /h
Maximum rapid rinse ($\Delta p = 1.9$ bar)	18 m ³ /h

* Cv: Flow rate of valve alone in GPM at 0,07 bar pressure drop.

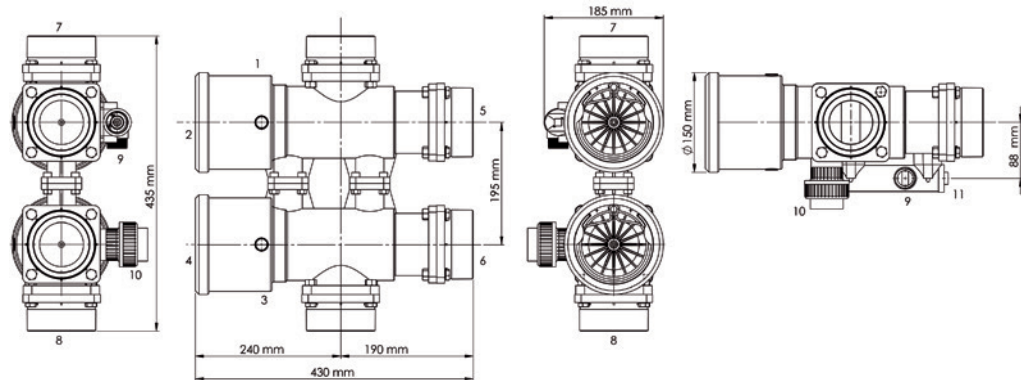
DOWNFLOW REGENERATION

Adjustable cycles	Depending on controller fitted
-------------------	--------------------------------

VALVE CONNECTIONS

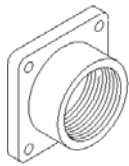
Inlet / outlet	Up to 3" flanged – threaded or to be glued
Drain line connector	40 mm ISO – molded in outlet body
Mounting base / Tank connection	Side mount / flanged

DIMENSIONS



- | | | |
|---|---|--|
| 1. Connection for cylinder opening, top column | 4. Connection for cylinder closure, bottom column | 8. Connection bottom column |
| 2. Connection for cylinder closure, top column | 5. Inlet | 9. Connection for brine draw \varnothing 1" |
| 3. Connection for cylinder opening, bottom column | 6. Outlet | 10. Connection for male drain \varnothing ISO 40 |
| | 7. Connection top column | 11. Connection for pilot timer control |

Inlet/Outlet connection options available

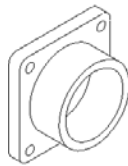


364-A 1" 1/2 BSP

364-B 2" BSP

364-C 2" 1/2 BSP

364-D 3" BSP



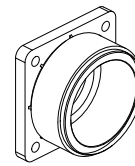
364-E01 ISO 50 GLUED

364-F01 ISO 63 GLUED

364-G01 ISO 75 GLUED

364-N01 \varnothing 60.4 GLUED

364-P01 3" NPT GLUED



364R-Q01 D90 GLUED



364R-D_3''_BSP

TANK SIZE APPLICATION (Recommended)

Water softener	24" - 48" (max 1200 l of resin)
Filter	24" - 48" (according to filter media specs)
Demineralsation	24" - 48" (max 1200 l of resin)

REGENERATION CYCLES

Softener & Demineralisation

- 1) Backwash (Up flow)
- 2) Brine & slow rinse (Down flow)
- 3) Rapid rinse (Down Flow)

Filter**

- 1) Backwash (Up Flow)
- 2) Rapid rinse (Down Flow)

** Depending on the controller type brine draw and slow rinse time must being set on 0.

OPTIONS

Up Flow regeneration	Yes
Duplex systems	Yes
External DLFC 1" 1/4	Yes

Contact us:

By mail

Commercial support

commercial.prfemea@pentair.com

Technical support

techsupport.water@pentair.com

Marketing support

marketing.prfemea@pentair.com

By phone

Tel. +41 21 623 69 69