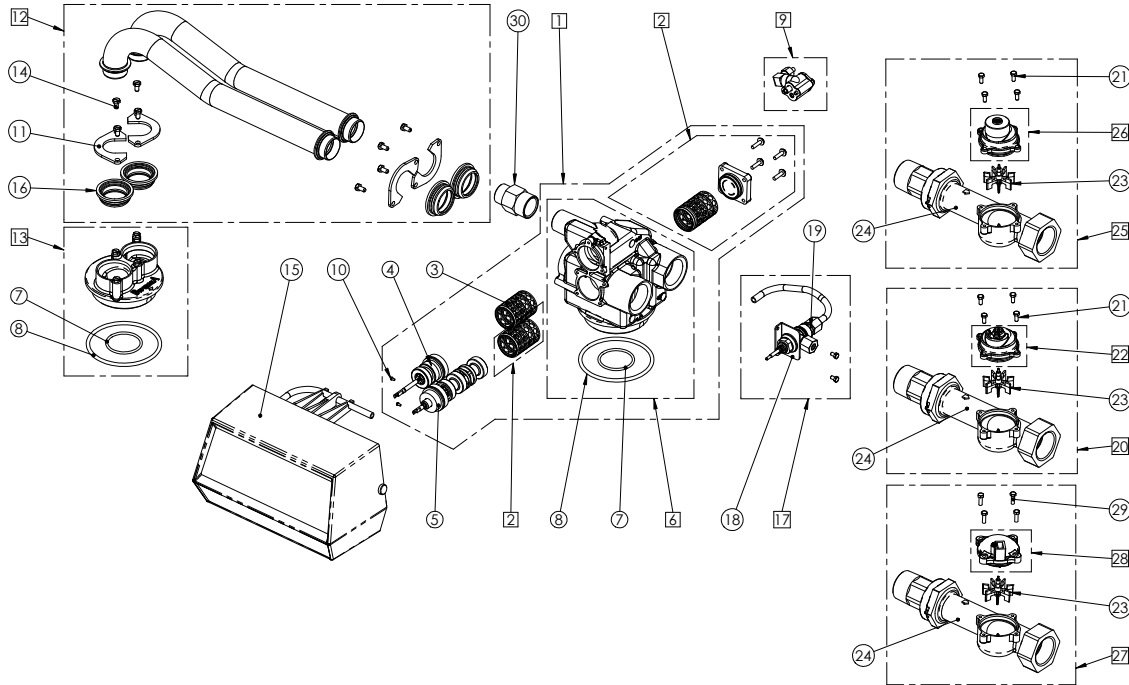


9500 VALVE

SPARE PARTS

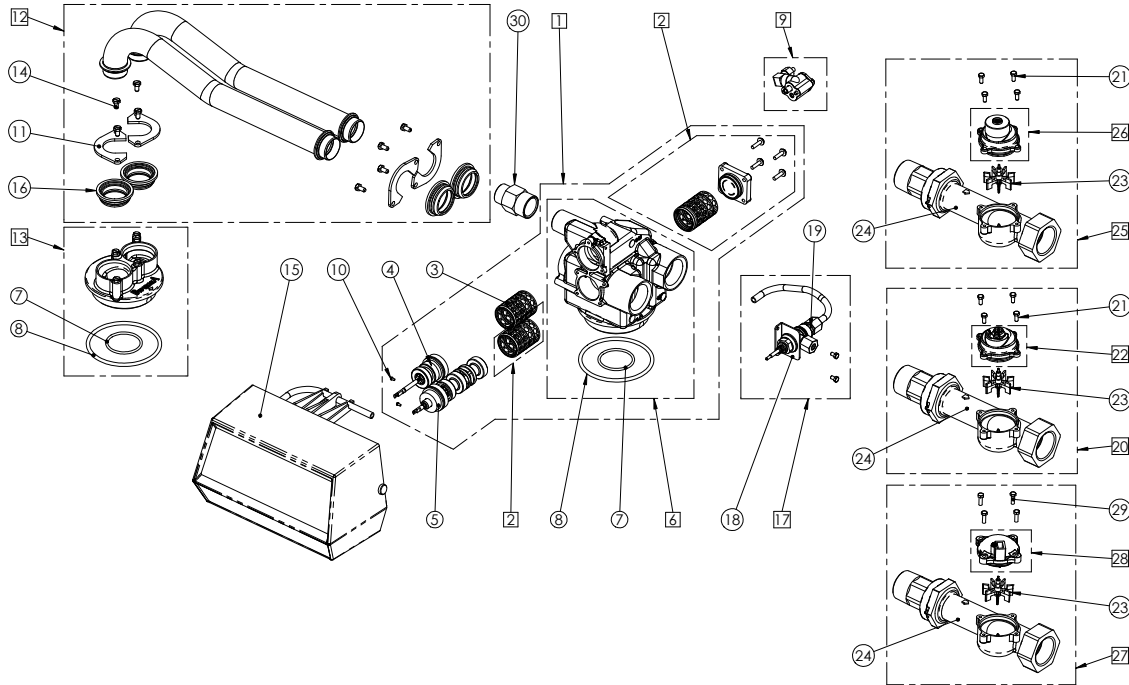


9500 spare parts

| Item | Reference | Description | Packing qty |
|------|------------|---|-------------|
| 1 | BU28525-01 | VB assy 9500 | 1 |
| | BU28525-02 | VB assy 9500 HW | 1 |
| 2 | BU28686 | S&S kit 9500 lowerpack | 1 |
| 3 | BU28685 | S&S kit 9500 upper pack | 1 |
| 4 | 18052 | Piston assy 9500 upper | 1 |
| | 18052-01 | Piston assy 9500 upper HW | 1 |
| 5 | 18053 | Piston assy 9500 lower | 1 |
| | 18053-01 | Piston assy 9500 lower HW | 1 |
| 6 | BU28651 | VB 9500 w/ O-rings | 1 |
| 7 | 13577-01SP | O-ring 560 CD Distrib Tube -(10 pc) | 1 |
| 8 | 16455-01 | O-ring 560 CD | 1 |
| 9 | 27150-1 | Inj assy 1600 9500 # 1 | 1 |
| | 27150-2 | Inj assy 1600 9500 # 2 | 1 |
| | 27150-3 | Inj assy 1600 9500 # 3 | 1 |
| | 24173-3 | Inj assy 1700/1710 | 1 |
| | 24173-4 | Inj assy 1700/1710 | 1 |
| | 24173-5 | Inj assy 1700/1710 | 1 |
| 10 | 11335SP | Piston Rod Screw 9000/9100/9500 - (50 pc) | 1 |
| 11 | 28107SP | Flange Tube 9500 -(4 pc) | 1 |
| 12 | 28137-xx | Kit copper tubes 2nd tank adapter - xx* - See accessories section | |
| 13 | 18050 | 2nd tank adapt assy 9500 | 1 |
| 14 | 23728SP | Screw THM 6x12 -(50 pc) | 1 |
| 15 | VCPHTWIN1 | PH 9000/9100/9500 - See VC sub-assemblies section | |

9500 VALVE

SPARE PARTS

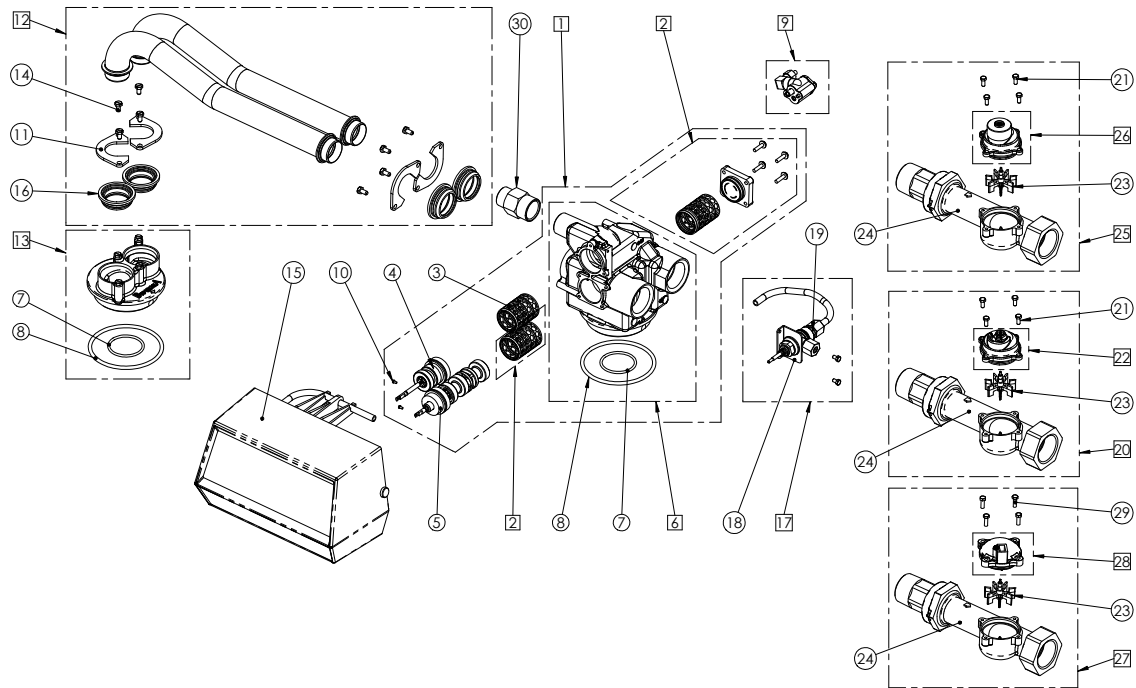


9500 spare parts

| Item | Reference | Description | Packing qty |
|------|--------------|--------------------------------------|-------------|
| 16 | 28139 | Spacer assy tube 9500 | 2 |
| 17 | BU28784-0.25 | BV 1600 assy 9500 hot water 0.25 gpm | 1 |
| | BU28784-0.50 | BV 1600 assy 9500 hot water 0.50 gpm | 1 |
| | BU28784-1 | BV 1600 assy 9500 hot water 1 gpm | 1 |
| | BU28798-0.25 | BV 1650 assy 9500 0.25 gpm | 1 |
| | BU28798-0.50 | BV 1650 assy 9500 0.50 gpm | 1 |
| | BU28798-1 | BV 1650 assy 9500 1 gpm | 1 |
| | BU28618-1.2 | BV 1700 9500 1.2 gpm | 1 |
| | BU28618-2 | BV 1700 9500 2 gpm | 1 |
| | BU28618-4 | BV 1700 9500 4 gpm | 1 |
| | BU28618-7 | BV 1700 9500 7 gpm | 1 |
| | BU28612-1.2 | BV 1710 9500 1.2 gpm | 1 |
| | BU28612-2 | BV 1710 9500 2 gpm | 1 |
| | BU28612-4 | BV 1710 9500 4 gpm | 1 |
| | BU28612-7 | BV 1710 9500 7 gpm | 1 |
| 18 | 16922 | Bracket BV 9500 | 1 |
| 19 | BU28799-0.25 | Kit BV 1650 assy 9500 0.25 gpm | 1 |
| | BU28799-0.50 | Kit BV 1650 assy 9500 0.50 gpm | 2 |
| | BU28799-1 | Kit BV 1650 assy 9500 1 gpm | 3 |
| | 18092-0.25 | Kit BV 1600 & BLFC assy indus | 1 |
| | 18092-0.50 | Kit BV 1600 & BLFC assy indus | 1 |
| | 18092-1 | Kit BV 1600 & BLFC assy indus | 1 |
| | BU28572-1.2 | BV 1710 9500 1.2 gpm | 1 |

9500 VALVE

SPARE PARTS

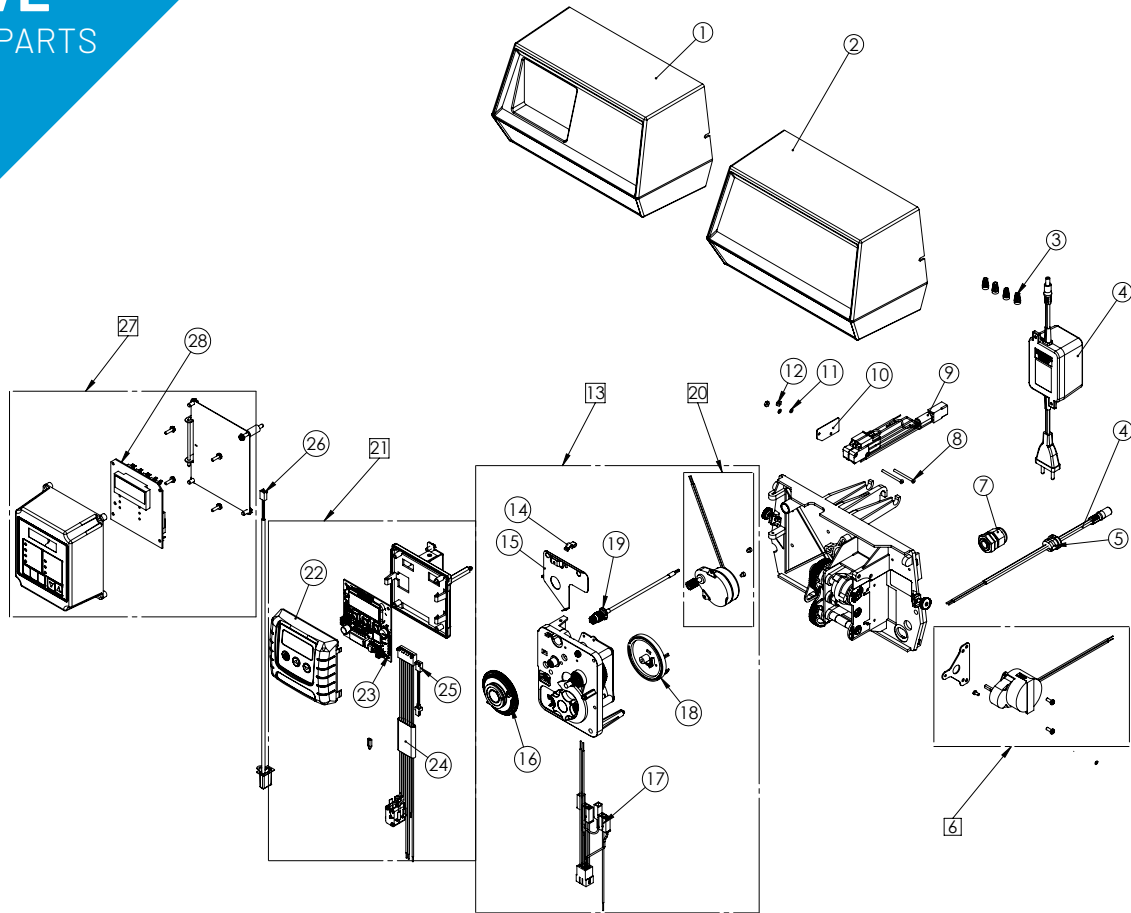


9500 spare parts

| Item | Reference | Description | Packing qty |
|------|-----------|---|-------------|
| | BU28572-2 | BV 1710 9500 2 gpm | 1 |
| | BU28572-4 | BV 1710 9500 4 gpm | 1 |
| | BU28572-7 | BV 1710 9500 7 gpm | 1 |
| | 18057-1.2 | BV 1700 assy HW 9500 1.2 gpm | 1 |
| | 18057-2 | BV 1700 assy HW 9500 2 gpm | 1 |
| | 18057-4 | BV 1700 assy HW 9500 4 gpm | 1 |
| | 18057-7 | BV 1700 assy HW 9500 7 gpm | 1 |
| 20 | 18509 | Meter assy 1 1/2" 40 m ³ 9500 | 1 |
| 21 | 11737SP | Screw TH M5x12 - (50 pc) | 1 |
| 22 | 15218 | Cover meter assy brass | 1 |
| 23 | 13509SP | Impeller Meter Except 2" & 3" - (10 pc) | 1 |
| 24 | 27957 | Meter body 1 1/2" 9500 | 1 |
| 25 | 18508 | Meter assy 1 1/2" 200 m ³ 9500 | 1 |
| 26 | 15237 | Meter cover assy brass extended | 1 |
| 27 | 28076 | Meter assy 1 1/2" elec 9500 | 1 |
| 28 | 18330 | Meter cover assy elec | 1 |
| 29 | 21716SP | Screw THM 5x16 - (50 pc) | 1 |
| 30 | 25581-ALL | DLFC kit 1" 2850/9500 10 to 25 gpm | 1 |

9500 VALVE

SPARE PARTS

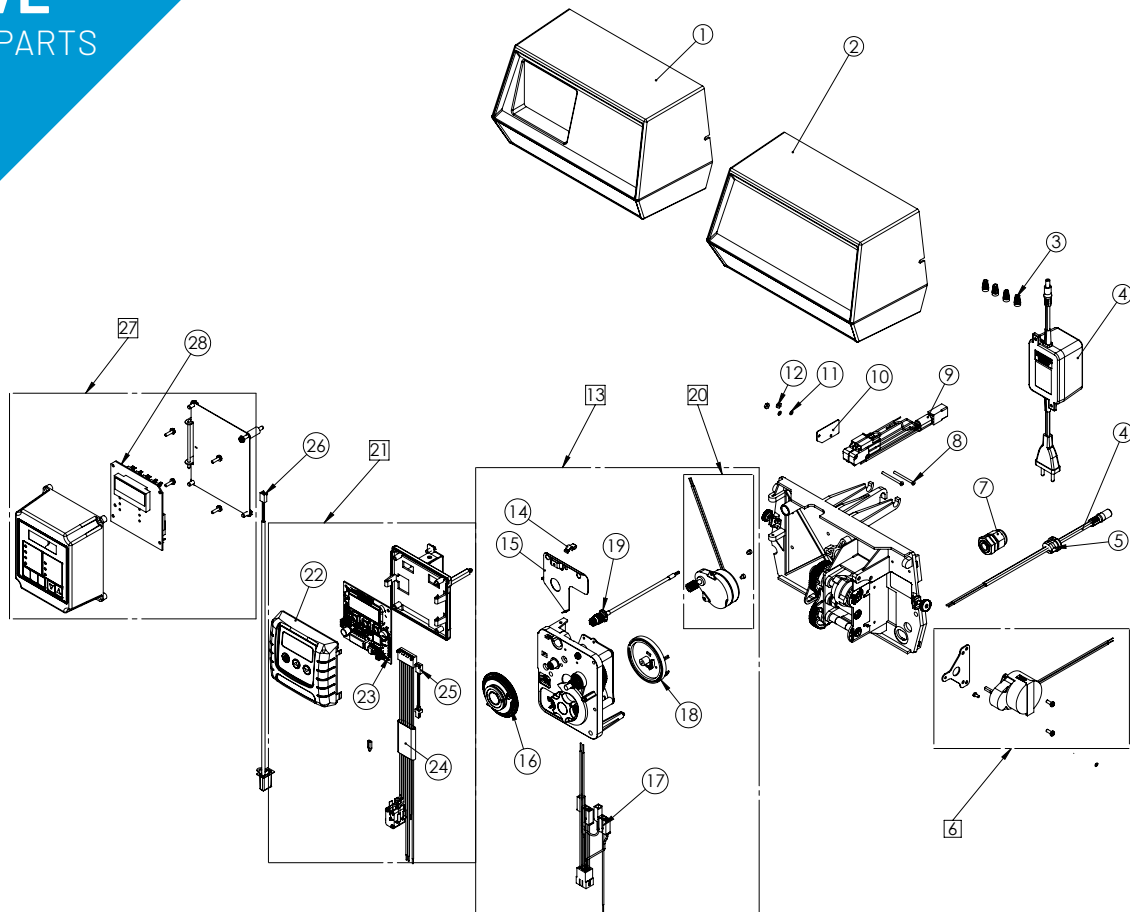


VCPHTWIN1 power head Twin valves

| Item | Reference | Description | Packing qty |
|------|-----------|---|-------------|
| 1 | BU26473 | Cover assy black left window 9500/9000 ET | 1 |
| 2 | 19291-020 | Cover 9000/9100/9500 black | 1 |
| 3 | 40422SP | Wire Nut Tan - (50 pc) | 1 |
| 4 | BU28597 | Kit transfo 10 VA 400 mA resid | 1 |
| 5 | 13547SP | Strain Relief 24V - (50 pc) | 1 |
| 6 | 26503-24 | Drive motor assy 24V 50/60hz twin | 1 |
| 7 | 17967 | Liquid tight | 1 |
| 8 | 15172SP | Screw Flat Head 9000/9100/9500 - (50 pc) | 1 |
| 9 | BU27746 | Harness 9000 | 1 |
| 10 | 10302SP | Insulator Limit Switch - (50 pc) | 1 |
| 11 | 11663SP | Lock Washer - (50 pc) | 1 |
| 12 | 10339SP | Nut Switch Mount - (50 pc) | 1 |
| 13 | VCTIMER | Timer mechanical industrial - See VC sub-assemblies section | |
| 14 | 17513SP | Clip Spring - (10 pc) | 1 |
| 15 | 15227 | Plate clutch actuator | 1 |
| 16 | 24580 | Pgm wheel assy 8 m ³ 9000/9100 | 1 |
| | 24914 | Pgm wheel assy 20 m ³ 9000/9100 | 1 |
| | 24915 | Pgm wheel assy 40 m ³ 9000/9100/9500 | 1 |
| | 24916 | Pgm wheel assy 100 m ³ 9000/9100 | 1 |
| 17 | 15203 | Harness timer 9000/ 9500 | 1 |
| 18 | 24201 | Pgm wheel assy 160 min | 5 |
| 19 | 25724 | Kit meter cable assy 9000/9000/6 | 1 |
| | 25725 | Kit meter cable assy 9000 1" | 1 |

9500 VALVE

SPARE PARTS



VCPHTWIN1 power head Twin valves

| Item | Reference | Description | Packing qty |
|------|------------|------------------------------------|-------------|
| 20 | 26778 | Timer motor assy 24V/50Hz 1/30 RPM | 1 |
| 21 | BU28712-02 | Timer assy SXT 9000/9100/9500 | 1 |
| 22 | BU28714 | Cover front panel & label SXT | 1 |
| 23 | BR43346-E0 | Circuit board SXT programmed eco | 1 |
| 24 | BU28528 | Wire harness w/ switches | 1 |
| 25 | BU27808 | Meter cable adapt SE 60 mm | 1 |
| 26 | 19121-01 | Meter cable SE/SXT 0,450 m | 1 |
| | 19121-02 | Meter cable ET 0,5 m | 1 |
| 27 | 27726 | Timer et 9000/9100/9500 DF | 1 |
| | 28358 | Timer et 9000/9100 UF | 1 |
| 28 | BU28529 | Circuit board 3200 ET | 1 |