

Control Valves & System Controller

User-friendly, reliable, powerful function and cost saving are our commitments to Canature BNT valve users. From basic to advanced, we have more than 80 models of filter and softener valves ready for your choices.



Why Choose Canature Valve?



Certification:



Features

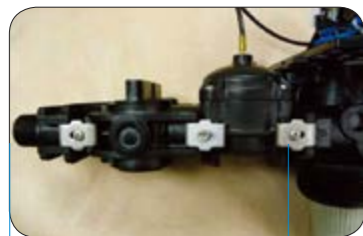
- Noryl(PPO) valve body assures durability and long service life.
- Non-corrosive, UV-resistant, weather-resistant.
- Exclusive NSF Certified electronic control valves with reliable piston, seal and spacer design.

Installed Canature BNT063 bypass with multi-features:

1. Integrated turbine meter.
2. Bypass use PPO(Noryl) material.
3. Well designed meter ensures long service life and is able to detect accurately at low flow range.
4. Inlet and outlet line designed with ports for taking untreated or treated water sample.
5. Bypass tool can be placed on bypass, easy to access.



Bypass Tool



9 inches



5 inches

Save space, avoid "meter jamming"



- A variety of connection fittings for your choice, different sizes, straight, elbow&45° style, thread&hot melt connection.

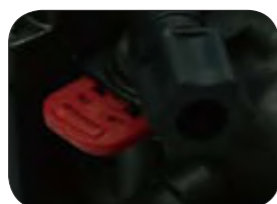


- Optional mixing valve, easy to adjust the hardness of treated water.

- Time saving quick connection features on inlet, outlet, brine line, drain line and power cord.



QC Inlet/Outlet Line



QC Brine Line



QC Drain Line



QC Power Cable

- Experienced and professional programming design is easy to set up.
- LCD screen with intuitive display, no confusing code.
- **Local language can be customized:**
中文, English, Español, Français, русский язык, Nederlands, Deutsch, Polski, etc.
- **Local unit can be customized:** liter/gallon ; Kg/lbs; mg/grain, etc.
- Self-charging capacitor keeps programming remaining in permanent memory, prevent data loss due to power failure.



Valves can easily be converted from softener to filter.



- PCB board uses silica gel sealant design to protect electronic parts from salt mist attack.
- Additional function meets your other requests: input signal /output relay, salt lack alarm, residual chlorine disinfection, leakage protection etc.



Performance

- Reliability Test: Continuously cycling the valve through regeneration while taking flow measurements and counting the number of cycles.
- Hydrostatic Proof Test: 300 PSI (20.7 bar) for 15 minutes.
- Hydrostatic Burst Test: at least 500 PSI.(34.5 bar)
Cycle Pressure Test:100,000 cycles from 0~150 psi (0~10.4 bar) no leaks.

Quality Control

Canature employs a strict and formalized quality control program. Starting from the design-phase and up to series production, rigorous test on each cycle ensures the BNT control valves meets the highest industry performance and reliability standards.

Core components are made in house, better quality control.

All control valves are 100% water tested and functional tested before leaving the factory.



BNT76 Series Control Valve

3/4", DF&UF Electronic Control

Languages:



New

- Quick Connection Components
- Patented Cam Gear Structure
- Clamp&Thread Connection Optional
- Power Failure Battery Backup

BNT76

Features

- Modular structure & less screw assembly design make maintenance service more easy.
- Integrated spacer and piston module design, provide stable and long-term performance.
- Patented cam gear structure in powerhead, integrated piston and brine valve cam, simple and precise positioning.
- Large display and optimized menu page make system setting and information read more convenient.
- Blending valve can be integrated on valve body.
- With tank connection options of 2.5" NPSM thread and clamp style.
- DC high torque motor, stable and less failure.
- Reengineered injector assembly, improve the vacuum at brine draw, optimized the structure for easy replacement.
- Battery backup to complete whole regeneration process in the event of a power failure.

Specifications	
Valve Body Material	Noryl (PPO)
Plumbing Connectors	Straight 1/2", 3/4", 1" BSP&NPT
	Elbow 1/2", 3/4" & 1" BSP&NPT
Tank Connection	2-1/2" NPSM Thread
	2-1/2" Clamp Style
Adjustable Cycles	0 ~199 Mins (Brine draw + Slow rinse)
Regeneration	Up Flow / Down Flow
Regeneration Mode	Days, Calendar Weekday, Meter Immediate, Meter Delay, MD Days Override, MI Days Override
Hard Water Bypass	Yes
Meter Accuracy	±5%
Distributor Pilot	1.05"
Drain Line	1/2" Quick Connect
Brine Line	3/8" Quick Connect
Flow Rates (Valve Only 50 psi Inlet)	
Continuous (15 psi drop)	2700 L/H
Peak (25 psi drop)	3860 L/H
Max. Backwash (25 psi drop)	1680 L/H
Cv	3.4
Typical Applications	
Softeners	8~14" Tank
Filters	8~12" Tank
Electrical	
Input	100~240V AC 50/60Hz
Output	12V DC 1000mA
Backup Battery	9VDC(6LR61)
Operation Ratings	
Operating Pressure	0.14 – 0.87 Mpa
Water Temperature	1 – 42 °C
Approvals	
NSF44, RoHS Pending	
Additional Information	
Carton Size	320×235×290mm
Shipping Weight	3.1Kg

BNT189 Series Control Valve

1.25", DF&UF Electronic Control

Languages:



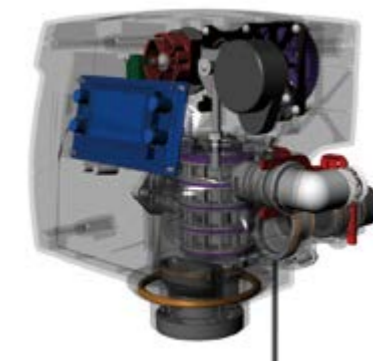
New

Optional Model:



BNT189

Specifications	
Valve Body Material	Noryl (PPO)
Plumbing Connections	Straight 1.25" BSP&NPT
	Elbow 1.25" BSP&NPT
Tank Thread	2-1/2" NPSM
Adjustable Cycles	0 ~ 99 minutes
Regeneration	Up Flow / Down Flow
Regeneration Mode	Days, Calendar Weekday, Meter Immediate, Meter Delay, Meter Override
Meter Accuracy	±5%
Distributor Pilot	1.32"
Drain Line	3/4" & 1" BSP&NPT
Brine Line	3/8" Quick Connect
Flow Rates (Valve Only 50 psi Inlet)	
Continuous (15 psi drop)	6200 L/H
Peak (25 psi drop)	8000 L/H
Max. Backwash (25 psi drop)	3900 L/H
Cv	7
Typical Applications	
Softeners	Up to 21" Diameter
Filters	Up to 18" Diameter
Electrical	
Input	Input 110V-120V / 220-240V AC 50/60 Hz
Output	12V AC 650mA
Operation Ratings	
Operating Pressure	0.14 – 0.84 Mpa
Water Temperature	1 – 42 °C
Approvals	
NSF44, CE, RoHS, ACS	
Additional Information	
Carton Size	320×235×290mm
Shipping Weight	3.2Kg



True 1" porting for high flow rates

Features

- True 1" porting for high flow rates. Up to 21" softeners and 18" filters.
- Large 4 line Touch Pad LCD display – customizable for dealership.
- Soft Water Recharge performs quick regeneration ensuring you never run out of soft water.
- Time saving quick connect features on bypass, brine line, drain line and power cord.
- OD 1.32" distribution pipe is optional to install, service and backwash flow rate can be increased by 10% ~ 15%.
- Integrated turbine meter.

BNT65 Series Control Valve

3/4", DF Electronic Control

Languages: 



BNT165

Optional Model:



BNT765



BNT265

Features

- Simple user-friendly LCD display. Just enter time of day, hardness and number of people.
- Manually index to cycle position for easier and faster installation and service.
- Reliable and precise electronic sensors to determine piston positions.
- "Totalizer" function tracks total amount of water treated.
- Audible Cycle Advance Alarm sounds if the valve is stuck in any position for more than 2 minutes.
- Self-charging capacitor keeps date / time of day for 48 hours while programming remains in permanent memory.
- Calendar Clock, Meter Immediate, Meter Delayed and Meter Override modes.
- No confusing codes or symbols to remember.
- Fully adjustable cycle times.
- Unique bypass with integrated space saving turbine meter. One piece design avoids meter jamming.
- Time saving quick connections for easy installation and maintenance.

Specifications	
Valve Body Material	Noryl (PPO)
Plumbing Connections	Straight 1/2", 3/4", 1" BSP&NPT
	Elbow 1/2", 3/4" & 1" BSP&NPT
Tank Thread	2-1/2" NPSM
Adjustable Cycles	0 - 99 minutes
Regeneration	Down Flow
Meter Accuracy	±5%
Distributor Pilot	1.05"
Drain Line	1/2" Quick Connect
Brine Line	3/8" Quick Connect
Flow Rates (Valve Only 50 psi Inlet)	
Continuous (15 psi drop)	4500 L/H
Peak (25 psi drop)	5900 L/H
Max. Backwash (25 psi drop)	1600 L/H
Cv	5.2
Typical Applications	
Softeners	Up to 16" Diameter
Filters	Up to 10" Diameter
Electrical	
Input	Input 110V-120V / 220-240V AC 50/60 Hz
Output	12V AC 650mA
Operation Ratings	
Operating Pressure	0.14 - 0.84 Mpa
Water Temperature	1 - 42 °C
Approvals	
NSF44, CE, RoHS, ACS	
Additional Information	
Carton Size	320×235×290mm
Shipping Weight	3.2Kg

BNT65 Series Control Valve

3/4", DF Electronic Control

Languages: 



BNT465



BNT565

Features

- Exclusive NSF Certified electronic control valves with reliable piston, seal and spacer design.
- Simple user-friendly, 2 lines / 16 character LCD backlit display.
- Rotating 'no touch' diagnostics shows key data like date last regenerated, volume remaining, current flow rate, peak flow rate, total gallons treated, total regenerations, time & date and capacity.

3/4", DF Mechanical Control



BNT65

Features

- Classic mechanical control, reliable.
- With manual knob to regenerate.
- Easy to set interval days to initiate regeneration.

BNT75S Series Control Valve

3/4"DF Electronic Control

Languages: 



BNT75S

Optional Model:



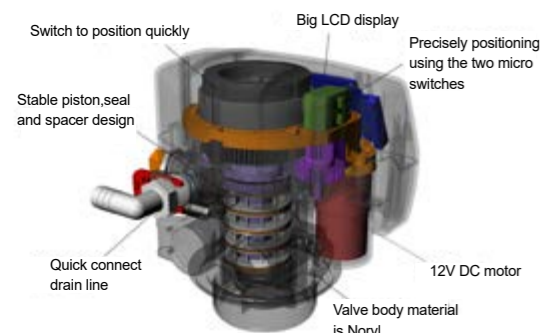
BNT175S



BNT275S

Features

- Big LCD screen, user-friendly, easy to operate.
- 75S Controlled Systems vorticular high speed piston is designed to perform better on problem water.
- NSF Certified control valves with proven piston, seal and spacer technology.
- "Pre-installed one piece metered bypass with quick connect adaptors.
- The control also features a four row customizable LCD screen with super intuitive electronics.
- Optional Days, Calendar, Meter Immediate, Meter Delay and Meter Override modes for regeneration.
- Precise micro switches to determine piston positions during regeneration process.



Specifications	
Valve Body Material	Noryl (PPO)
Plumbing Connections	Straight 1/2", 3/4", 1" BSP&NPT
	Elbow 1/2", 3/4", 1" BSP&NPT
Tank Thread	2-1/2" NPSM
Adjustable Cycles	0 ~ 99 minutes
Regeneration	Down Flow
Meter Accuracy	±5%
Distributor Pilot	1.05"
Drain Line	1/2" Quick Connect
Brine Line	3/8" Quick Connect
Flow Rates (Valve Only 50 psi Inlet)	
Continuous (15 psi drop)	4500 L/H
Peak (25 psi drop)	5900 L/H
Max. Backwash (25 psi drop)	1600 L/H
Cv	5.2
Typical Applications	
Softeners	Up to 16" Diameter
Filters	Up to 10" Diameter
Electrical	
Input	Input 110V-120V / 220-240V AC 50/60 Hz
Output	12V DC 1.0A
Operation Ratings	
Operating Pressure	0.14 ~ 0.84 Mpa
Water Temperature	1 ~ 42 °C
Approvals	
NSF44, CE, RoHS, ACS	
Additional Information	
Carton Size	320×235×290mm
Shipping Weight	3.2Kg

BNT85 Series Control Valve

3/4"DF Electronic Control

Languages: 



BNT185

Optional Model:



BNT85



BNT285

Features

- Exclusive NSF Certified electronic control valves with proven piston, seal & spacer technology.
- Simple user-friendly, 2 line / 16 character LCD backlight display.
- Rotating 'no touch' diagnostics shows key data like date last regenerated, volume remaining, current flow rate, peak flow rate, total gallons treated, total regenerations, time & date and capacity.
- Meter immediate, meter delayed, meter override, vacation and calendar clock modes.
- Self-charging capacitor keeps date / time of day for 48 hours while programming remains in permanent memory.
- Adjustable cycle times.
- Precise electronic sensors to determine piston positions.
- Space saving bypass with integrated turbine meter.
- Time saving quick connected fittings on bypass, drain line, brine line and power cord.

Specifications	
Valve Body Material	Noryl (PPO)
Plumbing Connections	Straight 1/2", 3/4", 1" BSP&NPT
	Elbow 1/2", 3/4", 1" BSP&NPT
Tank Thread	2-1/2" NPSM
Adjustable Cycles	0 ~ 99 minutes
Regeneration	Down Flow
Meter Accuracy	±5%
Distributor Pilot	1.05"
Drain Line	1/2" Quick Connect
Brine Line	3/8" Quick Connect
Flow Rates (Valve Only 50 psi Inlet)	
Continuous (15 psi drop)	4500 L/H
Peak (25 psi drop)	5900 L/H
Max. Backwash (25 psi drop)	1600 L/H
Cv	5.2
Typical Applications	
Softeners	Up to 16" Diameter
Filters	Up to 10" Diameter
Electrical	
Input	Input 110V-120V / 220-240V AC 50/60 Hz
Output	12V AC 650mA
Operation Ratings	
Operating Pressure	0.14 ~ 0.84 Mpa
Water Temperature	1 ~ 42 °C
Approvals	
NSF44, CE, RoHS, ACS	
Additional Information	
Carton Size	320×235×290mm
Shipping Weight	3.2Kg

BNT85HE Series Control Valve

3/4", UF&DF Electronic Control

Languages: 



BNT485HE

Features

- Easy to Program.**
 User-friendly 2 lines 16 characters LCD display.
 Simple set up and programming with no confusing codes or symbols to remember.
- “No Touch” Rotating Diagnostic Display**
 Standby display rotates key info like total system capacity, volume remaining, last regeneration date and current flow rate etc.
- Automatic Vacation Mode**
 Smart Clean technology will have system flush the water and media in tank, keep the system clean after a few days of no water used.
- Soft Water Refill**
 Keep brine tank & injectors clean by adding treated soft water to brine tank rather than raw untreated water.
- Soft Water Recharge Mode**
 Never run out of soft water. If reserve capacity is depleted by a spike in water usage, the 85HE system will automatically perform a quick “recharge” regeneration to restore up to 33% system capacity in just 20 minutes.

Specifications	
Valve Body Material	Noryl (PPO)
Plumbing Connections	Straight 1/2", 3/4", 1" BSP&NPT
	Elbow 1/2", 3/4", 1" BSP&NPT
Tank Thread	2-1/2" NPSM
Adjustable Cycles	0 ~ 99 minutes
Regeneration	Up Flow / Down Flow
Regeneration Mode	Meter Immediate, Meter Delayed, Day Override, Vacation
Meter Accuracy	±5%
Distributor Pilot	1.05"
Drain Line	1/2" Quick Connect
Brine Line	3/8" Quick Connect
Flow Rates (Valve Only 50 psi Inlet)	
Continuous (15 psi drop)	4700 L/H
Peak (25 psi drop)	6100 L/H
Max. Backwash (25 psi drop)	3800 L/H
Cv	5.2
Typical Applications	
Softeners	Up to 16" Diameter
Filters	Up to 12" Diameter
Electrical	
Input	220~240V/120V AC 50/60Hz
Output	12V AC 650mA
Operation Ratings	
Operating Pressure	0.14 – 0.84 Mpa
Water Temperature	1 – 42 °C
Approvals	
NSF44, CE, RoHS, ACS	
Additional Information	
Carton Size	320×235×290mm
Shipping Weight	3.2Kg

Optional 85HE Model:



BNT85HE



BNT185HE



BNT285HE



BNT585HE

- Back Wash Override**

On cleaning municipal water supply there is no need to backwash and clean the bed every regeneration. Save up to 2,000 Gallons of water each year by skipping up to 10 backwash cycles.



Up Flow Regeneration Introduction

85HE Up Flow valves drive the hardness minerals up through the already depleted resin and out to drain, so it only regenerate the "used" or "depleted" portion of the ion exchange resin.

Up Flow features:

- Use the precise amount of salt to only regenerate the used portion saving an additional 15~30% salt per regeneration.
- Low regeneration salt & water usage.
- Less chloride discharge.



BNT79



Battery Powered



Features

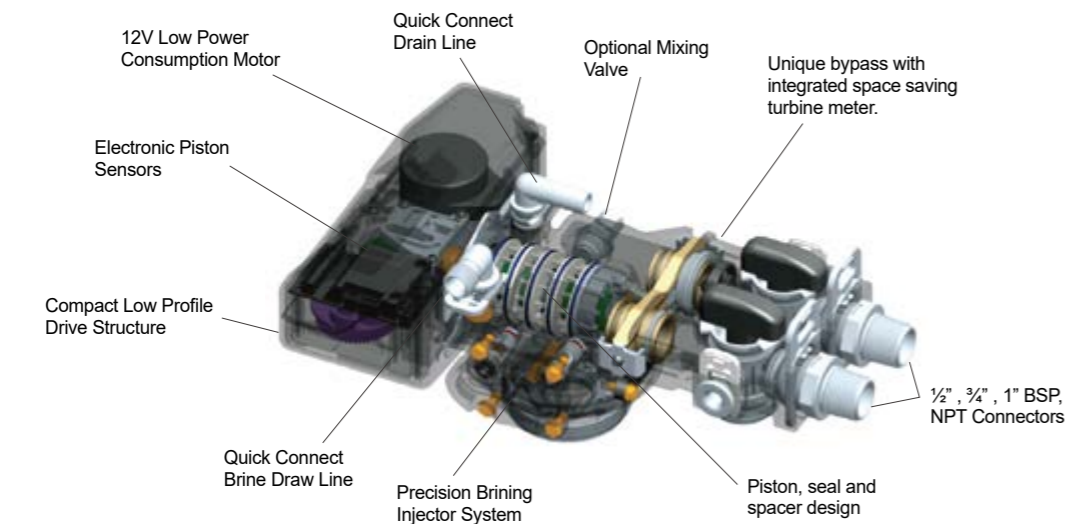
- Valve is battery powered, easy to move to the place where the power supply is not easy to access.
- Long battery service life, the valve is able to use for 1~2 years as per the normal regeneration frequency after a full charge.
- When the battery power is too low, the valve display will be flashing with beeping alarm to remind you to charge the battery.

BNT585SE



Features

- User-friendly large color display shows time of day, total remaining capacity, and flow indication
- Simple to set program settings on super intuitive electronics.
- Fully adjustable cycle times.
- Time saving quick connects on all connections for easy installation including power cable.



Residual Chlorine Generator

Work with 85HE/SE Valve

Specifications:

- Power: 200mA
- Connection: QC 3/8" tube.
- Total Chlorine Generation: 1.8ppm @ 2.0L/M Saturated Brine draw rate.
- Salt Alarming: Detect the salt volume in the brine tank simultaneously, alarm if salt is lacked.



Principal of Work

The generator can be installed into the normal Brine Line to produce chlorine through electrolytic reaction during the Brine Draw cycle, thus killing the bacteria or other relevant microbes that affect the water quality in the container or the solution, this periodic disinfection reduces the existence of all kinds of microorganisms in softener system.



Specifications	
Valve Body Material	Noryl (PPO)
Plumbing Connections	Straight 1/2", 3/4", 1" BSP&NPT
	Elbow 1/2", 3/4", 1" BSP&NPT
Tank Thread	2-1/2" NPSM
Adjustable Cycles	0 ~ 99 minutes
Regeneration	Down Flow
Meter Accuracy	±5%
Distributor Pilot	1.05"
Drain Line	1/2" Quick Connect
Brine Line	3/8" Quick Connect
Flow Rates (Valve Only 50 psi Inlet)	
Continuous (15 psi drop)	4500 L/H
Peak (25 psi drop)	5900 L/H
Max. Backwash (25 psi drop)	1600 L/H
Cv	5.2
Typical Applications	
Softeners	Up to 16" Diameter
Filters	Up to 10" Diameter
Electrical(Transformer)	
Input	100V ~ 240V AC 50/60Hz
Output	12V DC 1.0A
Electrical(Battery)	
Battery Model	3x18650
Output	12V DC 1.0A
Charge Time	2~4 hours
Operation Ratings	
Operating Pressure	0.14 ~ 0.84 Mpa
Water Temperature	1 ~ 42 °C
Approvals	
NSF44, CE, RoHS, ACS	
Additional Information	
Carton Size	320×235×290mm
Shipping Weight	3.2Kg

Specifications	
Valve Body Material	Noryl (PPO)
Plumbing Connections	Straight 1/2", 3/4", 1" BSP&NPT
	Elbow 1/2", 3/4", 1" BSP&NPT
Tank Thread	2-1/2" NPSM
Adjustable Cycles	0 ~ 99 minutes
Regeneration	Down Flow
Meter Accuracy	±5%
Distributor Pilot	1.05"
Drain Line	1/2" Quick Connect
Brine Line	3/8" Quick Connect
Flow Rates (Valve Only 50 psi Inlet)	
Continuous (15 psi drop)	4500 L/H
Peak (25 psi drop)	5900 L/H
Max. Backwash (25 psi drop)	1600 L/H
Cv	5.2
Typical Applications	
Softeners	Up to 16" Diameter
Filters	Up to 10" Diameter
Electrical	
Input	220~240V/120V AC 50/60Hz
Output	12V AC 650mA
Operation Ratings	
Operating Pressure	0.14 ~ 0.84 Mpa
Water Temperature	1 ~ 42 °C
Approvals	
NSF44, CE, RoHS, ACS	
Additional Information	
Carton Size	320×235×290mm
Shipping Weight	3.2Kg

BNT89 Series Control Valve

1", DF&UF Electronic Control

Languages:



BNT89

Optional Model:



Specifications	
Valve Body Material	Noryl (PPO)
Plumbing Connections	Straight 1" BSP&NPT
	Elbow 1" NPT
Tank Thread	2-1/2" NPSM
Adjustable Cycles	0 ~ 99 minutes
Regeneration	Up Flow / Down Flow
Regeneration Mode	Days, Calendar Weekday, Meter Immediate, Meter Delay, Meter Override
Meter Accuracy	±5%
Distributor Pilot	1.05"
Drain Line	3/4" & 1" BSP&NPT
Brine Line	3/8" Quick Connect
Flow Rates (Valve Only 50 psi Inlet)	
Continuous (15 psi drop)	6200 L/H
Peak (25 psi drop)	8000 L/H
Max. Backwash (25 psi drop)	3900 L/H
Cv	7
Typical Applications	
Softeners	Up to 21" Diameter
Filters	Up to 18" Diameter
Electrical	
Input	Input 110V-120V / 220-240V AC 50/60 Hz
Output	12V AC 650mA
Operation Ratings	
Operating Pressure	0.14 – 0.84 Mpa
Water Temperature	1 – 42 °C
Approvals	
NSF44, CE, RoHS, ACS	
Additional Information	
Carton Size	320×235×290mm
Shipping Weight	3.2Kg



True 1" porting for high flow rates

Features

- True 1" porting for high flow rates. Up to 21" softeners and 18" filters.
- Large 4 line Touch Pad LCD display – customizable for dealership.
- Soft Water Recharge performs quick regeneration ensuring you never run out of soft water.
- Time saving quick connect features on bypass, brine line, drain line and power cord.
- OD 1.32" distribution pipe is optional to install, service and backwash flow rate can be increased by 10% ~ 15%.
- Integrated turbine meter.

BNT95 Series Control Valve

1.25", DF Electronic Control

Languages:



BNT95

► LARGE TFT COLOR DISPLAY



◀ INNOVATIVE WATER PROOF


Features

- User friendly large color display shows time of day, total remaining capacity, and flow indication.
- Water proof power head enclosure.
- Up to 50.0 GPM flows (valve only) for commercial softening and filtration applications.
- Time saving quick connects on all connections for easy installation including power cable.
- Additional access ports with quick connected clips for easy sample points.
- Calendar Clock, Meter Immediate, Meter Delayed and Meter/Day Override.
- Fully adjustable cycle times.
- Integrated turbine meter.
- 48 hour self charging battery back-up keeps time-of-day stored while program settings are kept in permanent memory.
- Simple to set program settings.
- Use less power than an alarm clock (Less than \$2 annually).

Specifications	
Valve Body Material	Noryl (PPO)
Plumbing Connections	Straight 1", 1.25", 1.5" BSP&NPT
Tank Thread	2-1/2" NPSM, 4"-8UN
Adjustable Cycles	Yes
Regeneration	Down Flow
Meter Accuracy	±5%
Distributor Pilot	1.05", 2"
Drain Line	3/4" & 1" BSP&NPT
Brine Line	1/2" BSP
Flow Rates (Valve Only 50 psi Inlet)	
Continuous (15 psi drop)	7000 L/H
Peak (25 psi drop)	9100 L/H
Max. Backwash (25 psi drop)	4100 L/H
Cv	8.0
Typical Applications	
Softeners	Up to 24" Diameter
Filters	Up to 21" Diameter
Electrical	
Input	Input 110V-120V / 220-240V AC 50/60 Hz
Output	12V AC 650mA
Operation Ratings	
Operating Pressure	0.14 – 0.84 Mpa
Water Temperature	1 – 42 °C
Approvals	
NSF44, CE, RoHS, ACS	
Additional Information	
Carton Size	385×285×280mm
Shipping Weight	3.2Kg

BNT105 Series Control Valve

1.5", UF&DF Electronic Control

Languages: 



BNT105

Specifications	
Valve Body Material	Noryl (PPO)
Plumbing Connections	Straight 1.5", 2.0" BSP&NPT
Tank Thread	4"-8UN
Adjustable Cycles	0-99Mins; 0-199 Mins(Brine)
Regeneration	Up Flow / Down Flow
Regeneration Mode	Days, Calendar Weekday, Meter Immediate, Meter Delay, Meter Override
Meter Accuracy	±5%
Distributor Pilot	OD1.9" & 50mm
Drain Line	Straight 1.5", 2" BSP&NPT
Brine Line	Elbow 1/2" BSP
Meter	1.5"/2.0" Optional
Meter Accuracy	±5%
Meter Capacity Range	0-999999.9 M3 (0-999999999 Gal)
System Application	Single /Series Interlock/Multi tank MTS
Valve Type	DF and UF Softener, Filter
Adjustable Cycles	0-99Mins ;0-199 Mins(Brine)
Flow Rates (Valve Only 50 psi Inlet)	
Continuous (15 psi drop)	15.9 M3/H
Peak (25 psi drop)	20.4 M3/H
Max Backwash flow (25 psi Drop)	15.9 M3/H
Cv	18.0
Typical Applications	
Softeners	21"- 30" Tank
Filters	18" -24" Tank
Electrical	
Input	100V - 240V AC 50/60Hz 1.5A
Output	24V DC 2.0A
Operation Ratings	
Operating Pressure	0.21-0.87 Mpa
Water Temperature	1 – 42 °C
Approvals	
NSF CE	
Additional Information	
Carton Size(L×W×H)	360×600×396mm
Shipping Weight	8 Kg

Features

- Noryl valve body, long service life, anti-corrosion, low cost. Classic piston, seal and spacer design, more reliable and less failure.
- High flow rate for commercial softening and filtration application.
- Valves come with NHWPB option.
- Valve type is optional: DF softener, UF softener and filter valves are available for your choice.
- More history information & diagnostics to view, knowing better of your system.
- Days, Calendar, Meter Immediate, Meter Delay, Meter Override regeneration mode.
- Outlet fitting come with integrated meter, other standard meter is also acceptable.

BNT631 Series Control Valve

3/4" Filter Valve



BNT631M(T)

BNT631M(T)-02

Features

- Use back pressure technique for sealing, eliminate leaking problem.
- No requirement of electricity, easy to operate.
- Child lock protection designed for safety use.
- Canature bypass valve can be installed.



BNT631A(T)

Features

- Valve is able to manually regenerate using the plastic wrench tool.
- DC power drive, quiet and stable.

Specifications	
Valve Body Material	Noryl (PPO)
Plumbing Connections	Straight 1/2", 3/4", 1" BSP&NPT
	Elbow 1/2", 3/4", 1" BSP&NPT
Tank Thread	2-1/2" NPSM
Distributor Pilot	1.05"
Drain Line	1/2" Quick Connect
Flow Rates (Valve Only 50 psi Inlet)	
Continuous (15 psi drop)	3000 L/H
Peak (25 psi drop)	4100 L/H
Max. Backwash (25 psi drop)	2200 L/H
Cv	3.5
Typical Applications	
Filters	Up to 12" Diameter
Operation Ratings	
Operating Pressure	0.14 – 0.6 Mpa
Water Temperature	1 – 42 °C
Approvals	
NSF44, CE, RoHS, ACS	
Additional Information	
Carton Size	235×150×150mm
Shipping Weight	2 Kg

Electrical	
Input	100V ~ 240V AC 50/60Hz
Output	12V DC 1.0A
Approvals	
NSF44, CE, RoHS, ACS	
Additional Information	
Carton Size	234×227×380mm
Shipping Weight	2Kg

BNT111 Series Control Valve

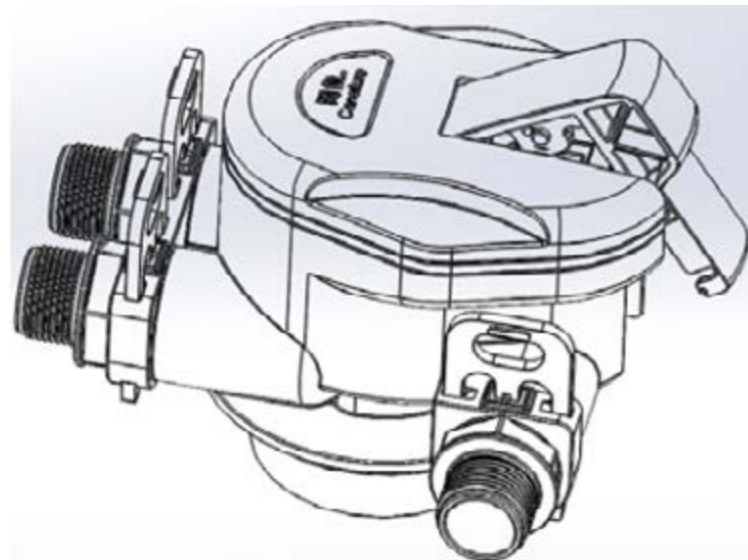
1" Filter Valve

Features

- Design for filter system requires high back wash washing flow rate.
- Simple steps to initiate back wash process.
- Two holes inside design for DLFC installation to get the proper back wash flow rate.
- Time saving quick connect fittings on inlet, outlet and drain line.

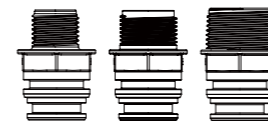


BNT111

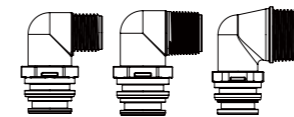
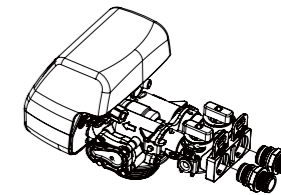


Specifications	
Valve Body Material	Anti-UV PP+ Noryl (PPO)
Plumbing Connections	Straight 1" BSP&NPT Elbow 1" BSP&NPT
Tank Thread	2-1/2" NPSM
Distributor Pilot	1.05"
Drain Line	1/2" Quick Connect
Flow Rates (Valve Only 50 psi Inlet)	
Continuous (15 psi drop)	4500 L/H
Peak (25 psi drop)	5900 L/H
Max. Backwash (25 psi drop)	5600 L/H
Cv	5.2
Typical Applications	
Filters	6" ~ 14" Diameter
Operation Ratings	
Operating Pressure	0.2 – 0.6 Mpa 0.2 – 0.87 Mpa(PPO)
Water Temperature	1 – 42 °C
Approvals	
NSF44, CE, RoHS, ACS	
Additional Information	
Carton Size	165×145×140mm
Shipping Weight	1Kg

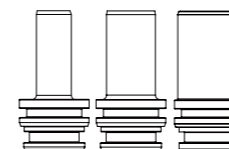
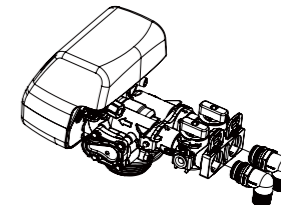
Control Valve Fittings Guide



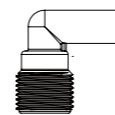
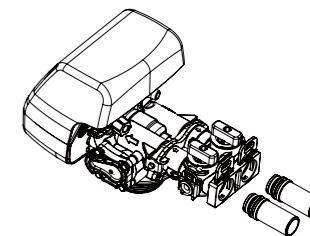
Description: Straight, Inlet/Outlet
Size: Male 1/2", 3/4", 1"
Type: QC, Thread, BSP/NPT
Used on: 65/75/85/85HE/111



Description: Elbow, Inlet/Outlet
Size: Male 1/2", 3/4", 1"
Type: QC, Thread, BSP/NPT
Used on: 65/75/85/85HE/111



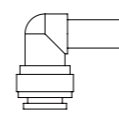
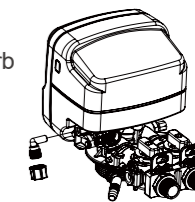
Description: Straight, Inlet/Outlet
Size: 1/2", 3/4", 1"
Type: QC, Weld, Metric/US
Used on: 65/75/85/85HE/111



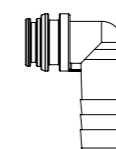
Description: Elbow, Brine Line
Size: Male 3/8"
Type: Stem, Thread, BSP
Used on: 65/75/85



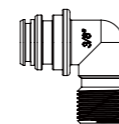
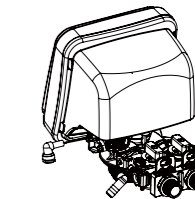
Description: Elbow, Drain Line Barb
Type: QC, Barb
Used on: 65/75/85/85HE



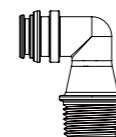
Description: Elbow, Brine Line
Size: Male 3/8"
Type: Stem, QC
Used on: 65/75/85



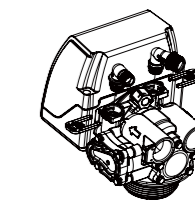
Description: Elbow, Drain Line
Type: QC, Barb
Used on: 65/75/85/85HE

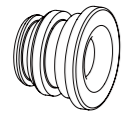


Description: Elbow, Brine Line
Size: Male 3/8"
Type: QC, Thread, BSP
Used on: 85HE/89

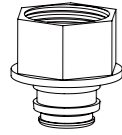


Description: Elbow, Drain Line
Size: Male 1/2"
Type: QC, Thread, BSP/NPT
Used on: 65/75/85/85HE

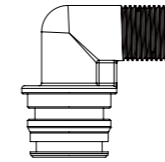
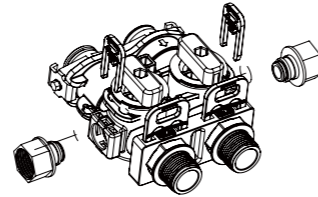
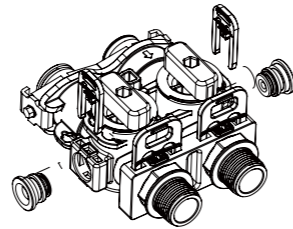




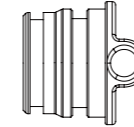
Description: Bypass Plug, Brine Line Plug
Used on: 65/75/85/85HE/89
063bypass, 101bypass



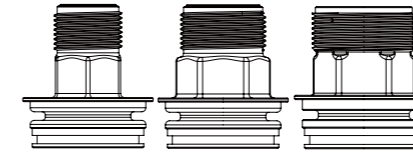
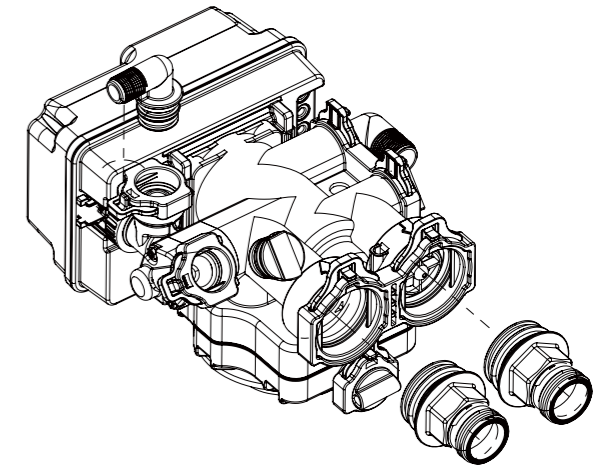
Description: Straight, Port Connection
Size: Female 1/2"
Type: QC, Metric
Used on: 65/75/85/85HE bypass



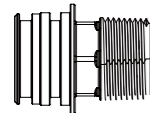
Description: Elbow, Brine Line
Size: Male 1/2"
Type: QC, Thread, BSP
Used on: 95,105



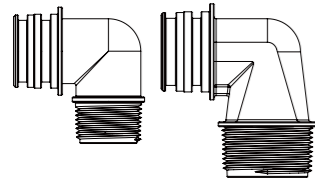
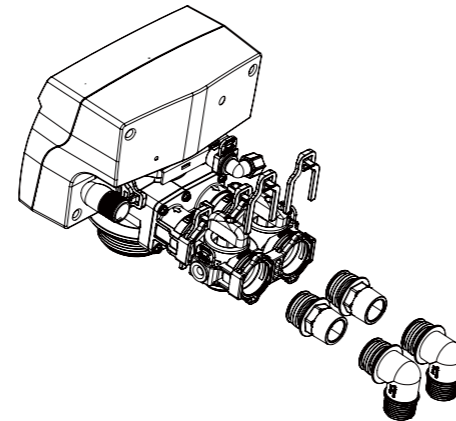
Description: Port Plug
Used on: 95



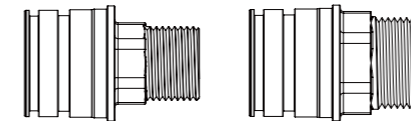
Description: Straight, Inlet/Outlet
Size: Male 1", 1.25", 1.5"
Type: QC, Thread, BSP/NPT
Used on: 95



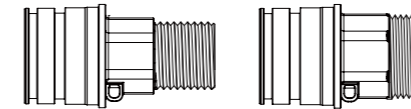
Description: Straight, Inlet/Outlet
Size: Male 1"
Type: QC, Thread, BSP/NPT
Used on: 89



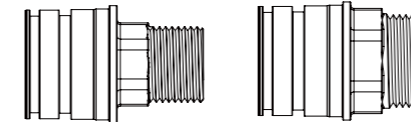
Description: Elbow, Inlet/Outlet
Size: Male 1", 1.25"
Type: QC, Thread, BSP/NPT
Used on: 89



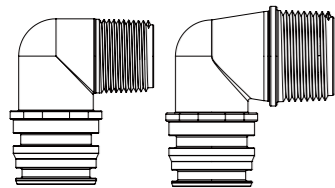
Description: Straight, Inlet
Size: Male 1.5", 2"
Type: QC, Thread, BSP/NPT
Used on: 105



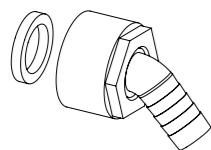
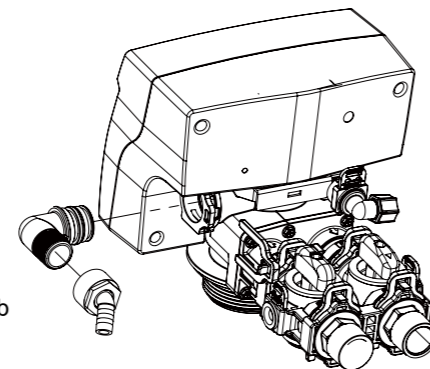
Description: Straight, Outlet
Size: Male 1.5", 2"
Type: QC, Thread, BSP/NPT
Used on: 105



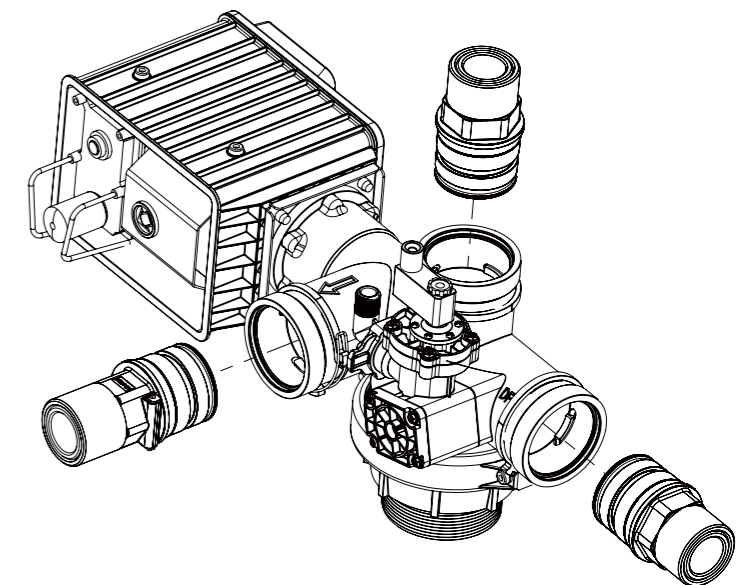
Description: Straight, Drain Line
Size: Male 1.5", 2"
Type: QC, Thread, BSP/NPT
Used on: 105



Description: Elbow, Drain Line
Size: Male 3/4", 1"
Type: QC, Thread, BSP/NPT
Used on: 89/95



Description: Drain Line Hose Barb
Size: Female 3/4"
Type: Thread, BSP
Used on: 89



Distribution Head

Canature distribution heads are made of food-grade noryl, designed with quick connections.



Distribution Head III

- Perfect for single in/out filter applications.



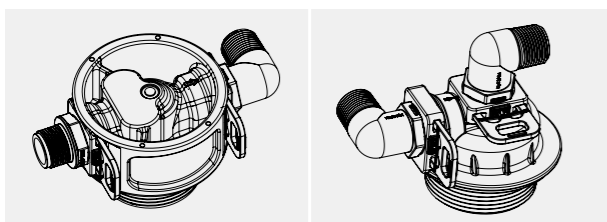
Distribution Head IV

- Unique parallel inlet/outlet design

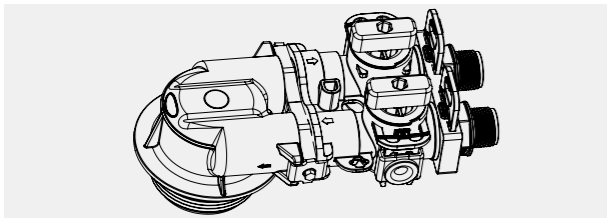


Distribution Head V

- Upper 360° swivel outlet with elbow adaptor.



A variety of connectors for your choice, meet different installation requirement



Optional Bypass

Bypass



Description: BNT063 Bypass
Material: Noryl (PPO)
Used on: 65/75/85/85HE/76



Description: BNT101 Bypass
Material: Noryl (PPO)
Used on: 89/189

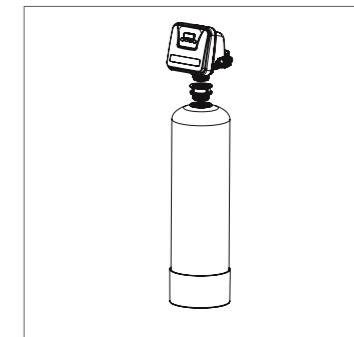


Description: Bypass Tool
Used on: BNT Bypass

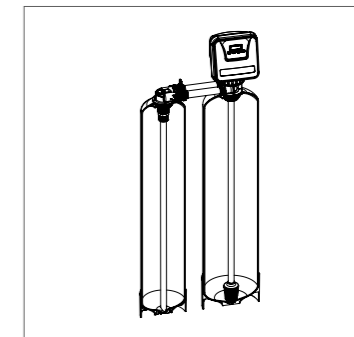
Tank Connection



Description: Height-Raise Joint
Used on: between tank and valve



Description: Tanks Joint II
Used on: Parallel installation two tanks system



Distribution Cone



Description: Top Distribution Cone
Size: 1.05"
Used on: 65/75/85/85HE/111/76/89



Description: Bottom Distribution Cone
Size: 1.05"
Used on: 65/75/85/85HE/111/76/89



Description: Top Distribution Cone
Size: 2"
Used on: 95/105



Description: Bottom Distribution Cone
Size: 2"
Used on: 95/105