

AnTech[®]

"Water Control Technologies"

PRODUCT CATALOGUE 2017



AnTech®

"Water Control Technologies"



HISTORY

1994- Foundations of **ENELSA** were laid in this year. Antalya Elektrik with a 9m² production area that was established by Ömer BACANAK and Rahmi KÖKÇEN was the beginning of the adventure over 20 years and a powerful partnership.

1996- First dosing pump was manufactured. Till this year , they worked on maintenance and repairing of dosing pumps and pool controll systems, and provided a very remarkable service for the pool sector.

1998- First controlling device was manufactured.

2000- First step was taken to gather the whole produced products under a brand and to put them under protection, the brand AnTech was registrered in 2001.

2004- In order to combine the experiences and techincs gained from production of dosing pumps and pool control devices with new ideas and desings, to develop new products in industrial area, **ENELSA** Endüstriyel Elektronik Company was established.

2005- To be able to produce plastic parts of the devices , plastic injection production line was set up.

2006- For creating unique desings and never sacrificing from quality, mould desinging and mould preparation process were included to its structure. For mould production, investments were done on machining. Setting up substructure continued during this year.

2007- By the growing volume of production , a bigger place need arised and the construction was started on where the factory is operating today in Organized Industry.

2009- ENELSA moved to it's new place after construction were completed.

2011- Electromechanic Diaphragm Dosing Pump production started.

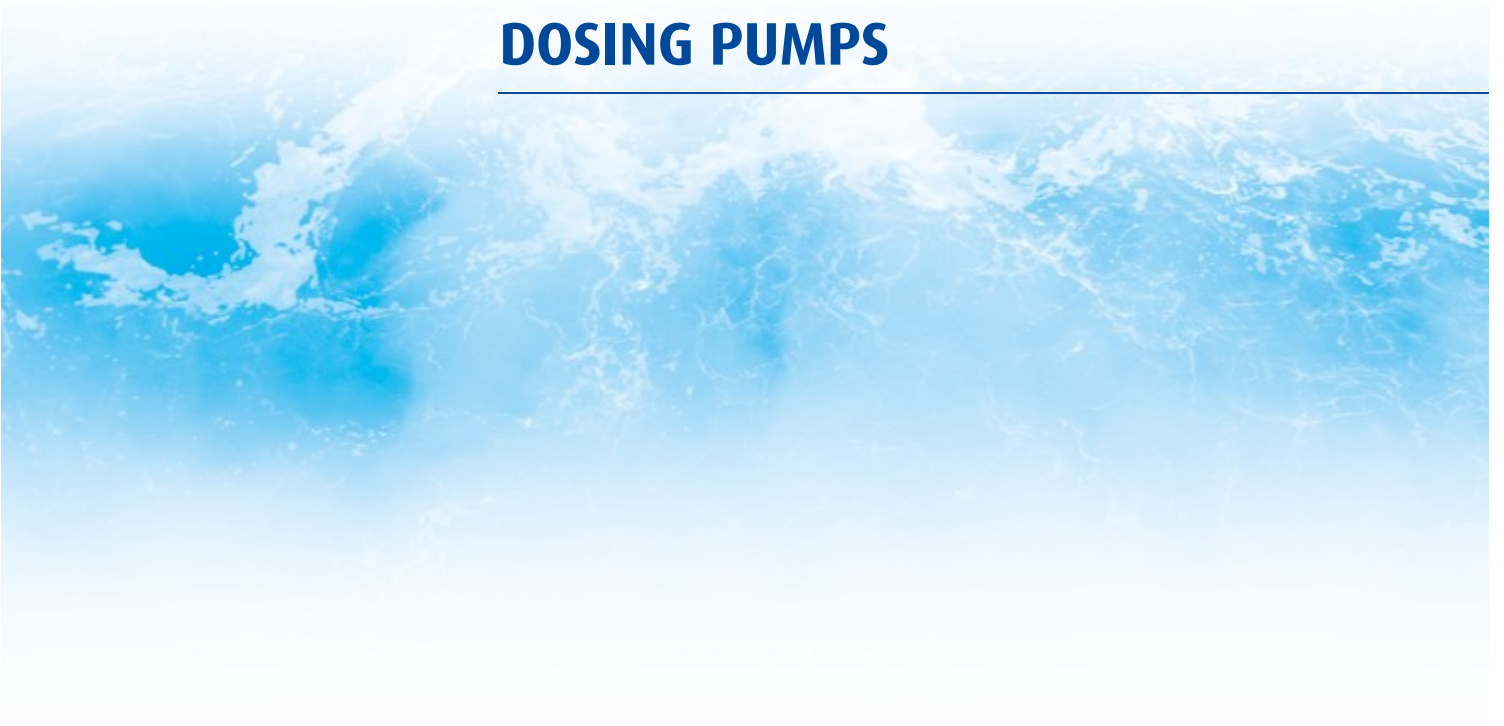
2013- By the incrising investments on R&D, with membrane technology , disinfectioning devices production was started that generates gas chorine from salt.

2015- SMD Machine included to company's structure and became a facility that can produce from raw material to final product.

ENELSA ,today with more than 70 proffesional employes, 5000m² closed and 6250m² total facility place, carry on its activities, looking at the future with hope by investing in his sector and people, walking through the way with confident steps to become a world brand, with the products that is produced with passion under the brand **AnTech**



DOSING PUMPS



ELECTROMECHANIC DIAPHRAGM DOSING PUMPS

01 EMD-P

Plastic Body Electromechanic Diaphragm Dosing Pumps

- Ideal solution for dosing high amount of liquid chemicals in precise measure
- Optional Pump head, unions and check valve preference among PP, SS 316 and PVDF materials according to chemical used
- Capacity adjustment from 0%-100% while running or standby
- Ability of capacity adjustment with 4-20 mA signal input motor driver



Stock code	Model	L/h	Max. Counter Pressure Bar	Package Sizes/cm W-L-H	Packed Weight/Kg	Unit Price (€) (XXX)				
						PCP	PSS	SSS	PVDFCP	PVCCP
311014005241(XXX)	EMD P14L/5B 380 (XXX)	14	5	31 x 38 x 23	5,90 (PCP)					
311032005251(XXX)	EMD P32L/5B 380 (XXX)	32			5,95 (PSS)					
311049005261(XXX)	EMD P49L/5B 380 (XXX)	49			7,40 (SSS)					
311014005242(XXX)	EMD P14L/5B 220 (XXX)	14			6,00 (PVDFCP)					
311032005252(XXX)	EMD P32L/5B 220 (XXX)	32			6,10 (PVCCP)					
311049005262(XXX)	EMD P49L/5B 220 (XXX)	49			7,15 (PCP)					
					7,20 (PSS)					
					8,65 (SSS)					
					7,25 (PVDFCP)					
					7,35 (PVCCP)					

EMD AUXILIARY EQUIPMENTS

Stock code	Stock name	Description	Unit Price (€)
410160011100001	EMD CONNECTION KIT 9X12 PP	SUCTION SET EMD 9X12 PP + INJECTION SET EMD 9X12 PP	
410160012200001	EMD CONNECTION KIT 20MM PP	SUCTION SET EMD 20MM PP + INJECTION SET EMD 20MM PP	
410160021100001	EMD CONNECTION KIT PVC 9X12MM	SUCTION SET EMD 9X12 PVC + INJECTION SET EMD 9X12 PVC	
410160022200001	EMD CONNECTION KIT 20MM PVC	SUCTION SET EMD 20MM PVC + INJECTION SET EMD 20MM PVC	
410170011100001	PIPE KIT 9X12 PE 10M	PIPE 9X12 PE 10 METERS	

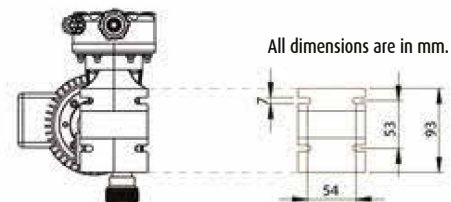
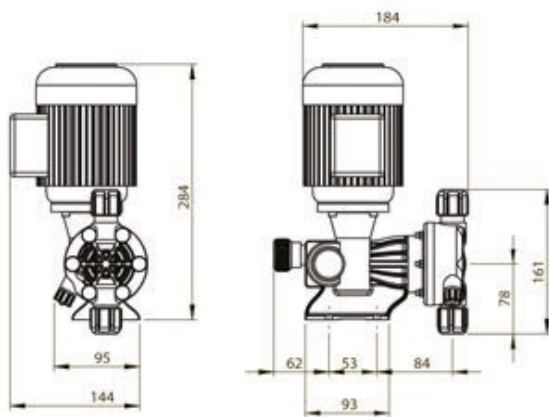


ELECTROMECHANIC DIAPHRAGM DOSING PUMPS

EMD-P Technical Specs

Head Set Selection Standarts for Electromechanic Diaphragm Dosing Pumps(XXX)

CODE MODEL(XXX)	Pump	Ball	Ball	Diaphragm
000/PCP	PP / FRV	Ceramic	PTFE	PTFE / NBR
100/PSS	PP / FRV	S.S.316	S.S.316	PTFE / NBR
200/SSS	S.S.316	S.S.316	S.S.316	PTFE / NBR
300/PVDFCP	PVDF	Ceramic	PTFE	PTFE / NBR
400/PVCCP	PVC	Ceramic	PTFE	PTFE / NBR



All dimensions are in mm.

Pump Model	Ø mm Diaphragm	Stroke/min.		capacity				Max. Pressure		Stroke mm	kW	Connections	Weight
				L1'		L/h							
		50Hz	60Hz	50Hz	60Hz	50Hz	60Hz	Bar	Psi				
EMP P14L/5B 380(XXX)	66	42	50	0,23	0,28	14	17	5	72,5	4	0,09	3,8"	4,5kg
EMP P32L/5B 380(XXX)		85	102	0,53	0,64	32	38						
EMP P49L/5B 380(XXX)		128	153	0,82	0,98	49	59						