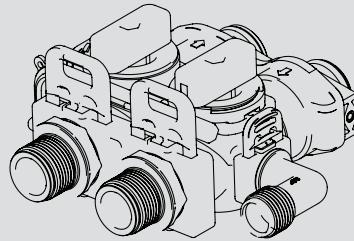


## Bypass-BNT-063

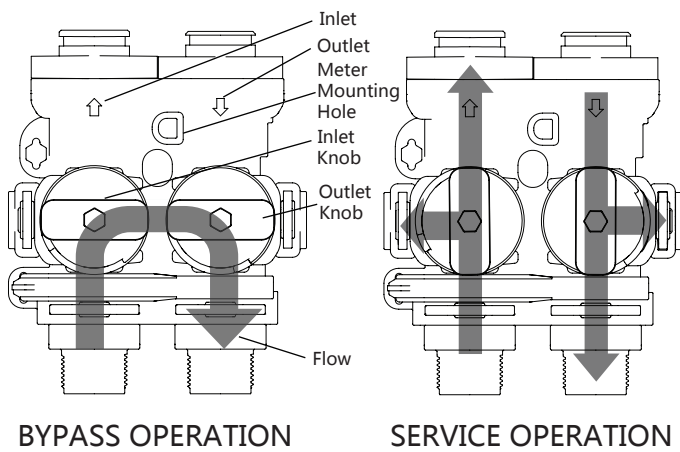
# Manual

Ver.16.1.1



61000082B

### Bypass-BNT-063 Manual



### Bypass-BNT-063 Manual

#### Installation:

1. Hold the knob or use a bypass tool to rotate the knobs.
2. Water supply will be bypassed when the knobs are horizontal.
3. It is in the status of service when knobs are in the vertical direction.
4. When the bypass is in the status of service, it is available to take raw water and filter water sample for testing at water taking port on both sides of the bypass.
5. Mount meter sensor into the meter sensor mounting hole, it can achieve meter and control function after connecting the appropriate controller.

#### Notes:

1. The water pressure requirement is 0.15~0.86 MPa, if the pressure is higher or lower than this, it is recommended to install a pressure stabilizer.
2. The operating ambient temperature requirement is 1°C~39°C, if the temperature is higher or lower than this, heat preservation should be taken.
3. Only use the food grade silicon grease for maintenance, any other kind of grease will affect the lifetime of bypass.
4. Do not remove the clips when the system is operating, relieve the pressure before removing the clips.
5. This product should be installed where the child can not touch.

