

PERISTALTIC DOSING PUMPS

01 PER-A

Peristaltic Analog Dosing Pump

- Adjustable flow rate from %10 to %100. (*Image1*)
- Rapid button (*Image2*)
- PP body resistant to chemicals
- Long-lasting barrier NEOPRENE teflon tube (*Image3*)
- Roller Bearing System
- Non-breakable PC cover



Stock code	Model	L/h	Max./Counter Pressure/Bar	Package Sizes/cm W-L-H	Packed Weight/Kg	Unit Price (€)
320002030101000	PER A 2L/3B 220FAT	2	3	12 x 21 x 13	0.78	135
320003005101000	PER A 3L/0,5B 220FAT	3	0.5			135
320006005101000	PER A 6L/0,5B 220FAT	6	0.5			135
320012005101000	PER A 12L/0,5B 220FAT	12	0.5			135



Image 1



Image 2



Image 3



INJECTION KIT/INCLUDED



*May vary by model

INJECTION KIT/INCLUDED



SUCTION KIT/INCLUDED

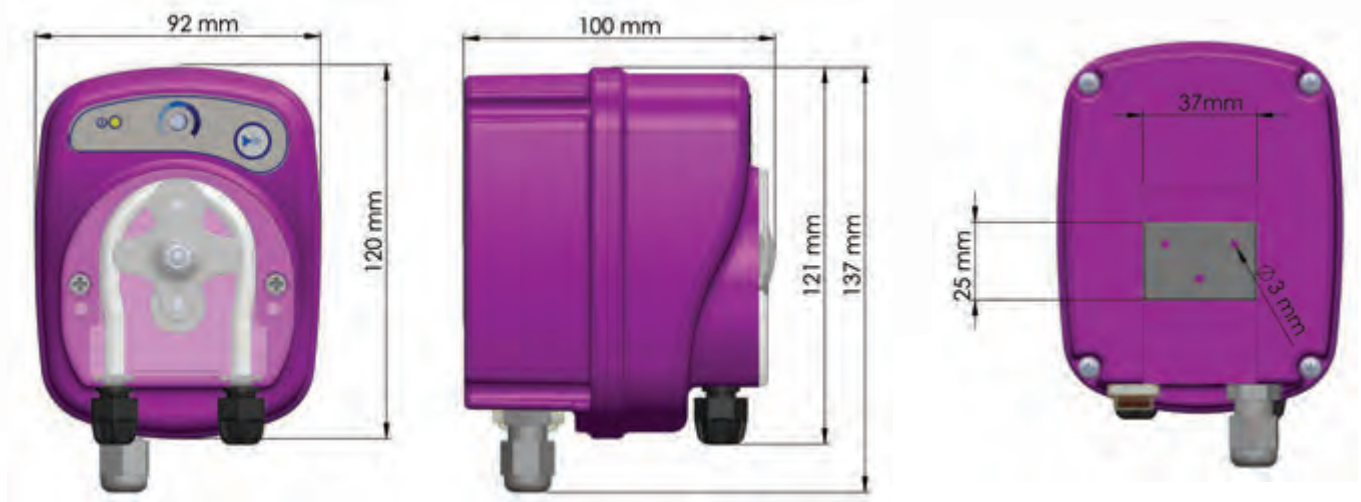


PIPE KIT/INCLUDED



PERISTALTIC DOSING PUMPS

PER-A Technical Specs



PERISTALTIC PUMPS GENERAL SPECS

Power Supply	230 V AC 50-60Hz - 6W // 24 V DC - 6W
Body	PP/IP65
Hose	Norprene
Gland	PP
Protective Cover	PC
Working Temperature	0-50°C
Chemical Temperature	0-45°C
Dimensions	137 x 92 x 100 mm

*May vary by model