



7

Nova

Technical Data

- Adjustable stroke rate via the potentiometer
- 95- 260 VAC working range and solenoid driven technology that can do automatic adaptation accordingly to line voltage
- Low energy consumption
- Easy and flexible installation and usage by the vertical mounting design and alternative mounting advantage by base fixing bracket.
- High resistance to corrosive chemicals with the PVDF Pump Head and entire IP65 body
- Electronic circuit controlled electromagnet and long lasting Teflon (PTFE) diaphragm
- Lesser Maintenance by ceramic ball design Suction and injection parts included
- Easy disassemble cable socket
- Double Liquid Level Control Input
- 1/10 Adjustment Button

Stock Code	Model	L/h	Max. Counter Pressure/Bar	Package Sizes/cm W-L-H	Packed Weight/Kg
306125005302000	DP NOVA A 25L/5B VACFAT	25	5	23x32x23	4,10

Standart Box Content



Stock Code : 600110800531000
Stock Name: SUCTION KIT 9X12 PS



Stock Code : 600110700343000
Stock Name: INJECTION KIT 9X12 P



Stock Code : 600110500120000
Stock Name: PIPE KIT V 9x12
Stock Code : 600110400700000
Stock Name: MOUNTING KIT DP NOVA



Stock Code : 500010079100010
Stock Name: Base Fixing Bracket DP NOVA

Application Areas



▶ Swimming Pools



▶ Drinking Water



▶ Waste Water



▶ Cooling Towers



▶ Boilers



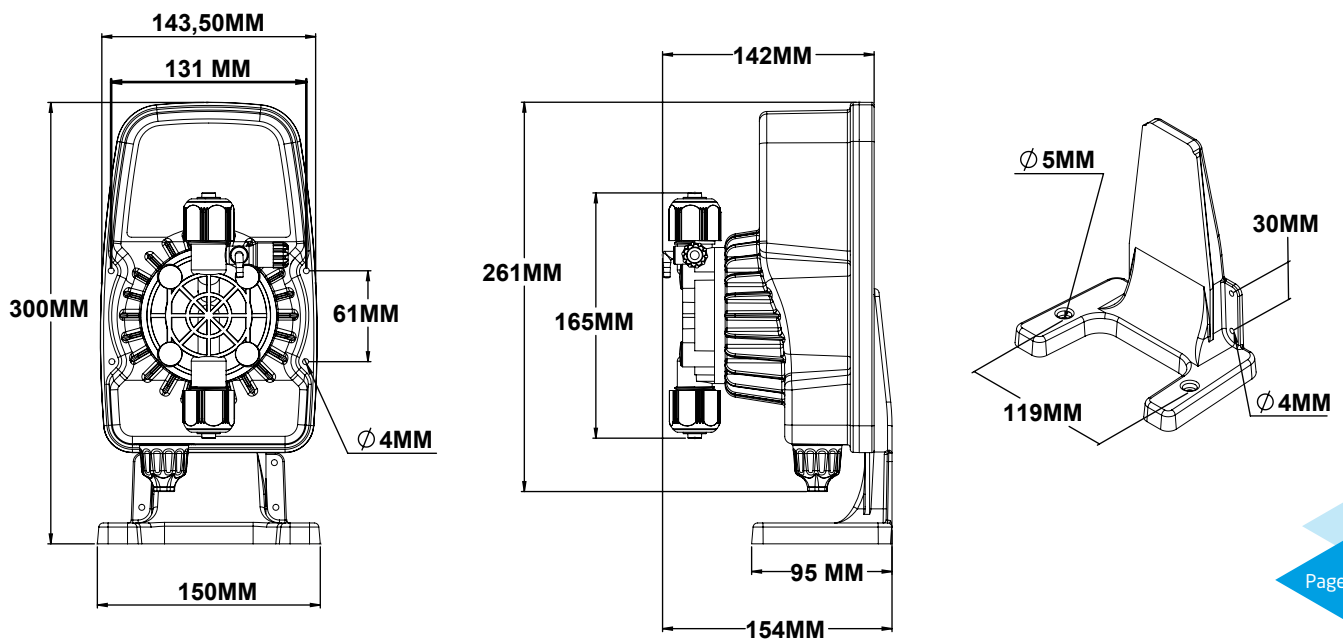
▶ Industrial Processes



▶ Agriculture

NOVA Series Technical Specs

Model		Max./Lt	Max./P	Stroke/dkml/Stroke	Supply voltage	Watt	Weight	Body	Max. Ambient Temperature	Max. Chemical Temperature	
		Lt / h	Bar	Stroke	ml	Volt	W	kg	IP	°C	°C
A	25L/5B	25	5	300	1,389	95-260 VAC 50-60 Hz	17	3	65	0-45	0-40



NOVA Series Dosing Pump Used Parts and Materials

Pump Head	PVDF	
Pump Body	PP	
Check valves*	Suction Set	PVDF, Zirconium Ball, Viton-EPDM* Oring
	Injection Set	PVDF, Zirconium Ball, Viton-EPDM* Oring
	Pump Head Set	PVDF, Zirconium Ball, Viton-EPDM* Oring
Diaphragm	PTFE	
Glands	PVDF	
O-Rings	Viton-EPDM*	
Suction Pipe	PVC / PE*	
Injection Pipe	PE	
Ventilating Pipe	PVC / PE*	

*: May vary by model