



6

Nano A

Technical Data

- Adjustable stroke rate via the potentiometer on the device
- Easy and flexible installation and usage by the vertical mount desing
- High resistance to corrosive chemicals with the PP Pump Head and entire IP65 body
- Electronic circuit controlled electromagnet and long lasting Teflon (PTFE) diaphragm
- Lesser Maintenance by ceramic ball desing
- Suction, injection parts and liquid level sensor accesories included

Page 10

| Stock Code | Model | L/h | Max. Counter Pressure/Bar | Package Sizes/cm W-L-H | Packed Weight/Kg |
|-----------------|---------------------------|-----|---------------------------|------------------------|------------------|
| 302105005101000 | DP NANO A 5L/5B V220FAT | 5 | 5 | 21 X 24 X 18 | 2,45 |
| 302102010101000 | DP NANO A 2L/10B V220FAT | 2 | 10 | | |
| 302100505101000 | DP NANO A 0,5L/5B V220FAT | 0,5 | 5 | | |

Standart Box Content



Stock Code : 600110800110000
Stock Name: SUCTION KIT 4X6 V



Stock Code : 600110700311000
Stock Name: INJECTION KIT 4X6 V



Stock Code : 600110500100000
Stock Name: PIPE KIT V
Stock Code : 600110400300000
Stock Name: MOUNTING KIT DP

ACCESSORIES

Not Included to Standart Box



Stock Code : TS310144120000000
Stock Name: TS CHECK VALVE KIT V

Application Areas



▶ Swimming Pools



▶ Drinking Water



▶ Waste Water



▶ Cooling Towers



▶ Boilers



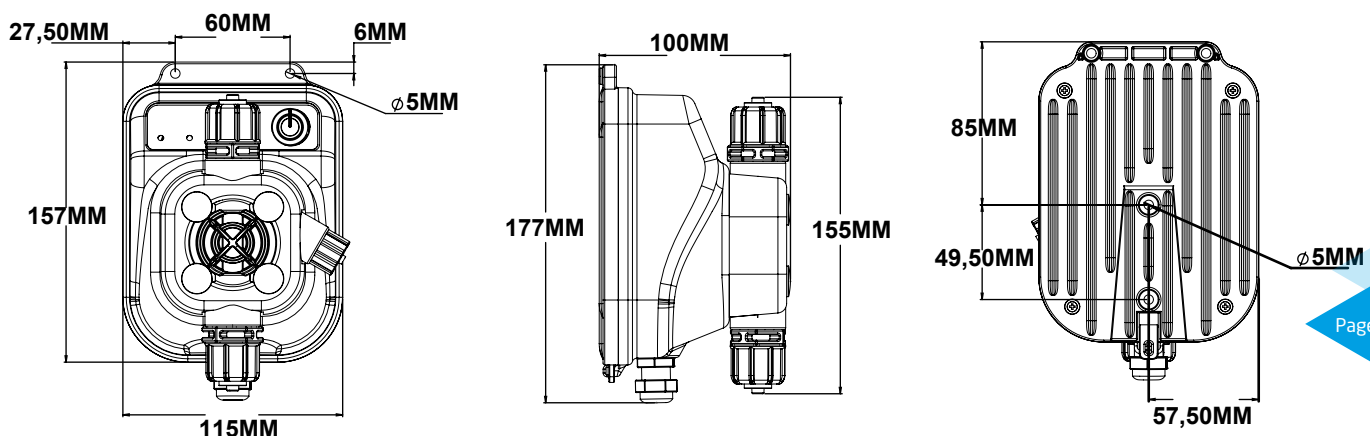
▶ Industrial Processes



▶ Agriculture

NANO Series Technical Specs

| Model | | Max./Lt | Max./P | Stroke/dkml/Stroke | Supply voltage | Watt | Weight | Body | Max. Ambient Temperature | Max. Chemical Temperature | |
|-------|---------|---------|--------|--------------------|-----------------|------|--------|------|--------------------------|---------------------------|-------|
| | | Lt / h | Bar | Stroke ml | Volt | W | kg | IP | °C | °C | |
| A | 2L/10B | 2 | 10 | 180 | 230 VAC 50Hz | 10 | 2,2 | 65 | 0-45 | 0-40 | |
| | 5L/5B | 5 | 5 | 180 | | | | | | | 0,463 |
| | 0,5L/5B | 0,5 | 5 | 180 | | | | | | | 0,046 |



NANO Series Dosing Pump Used Parts and Materials

| | | |
|------------------|---------------|---------------------------------------|
| Pump Head | PP | |
| Pump Body | PP | |
| Check valves* | Suction Set | PP, Zirconium Ball, Viton-EPDM* Oring |
| | Injection Set | PP, Zirconium Ball, Viton-EPDM* Oring |
| | Pump Head Set | PP, Zirconium Ball, Viton-EPDM* Oring |
| Diaphragm | PTFE | |
| Glands | PP | |
| O-Rings | Viton-EPDM* | |
| Suction Pipe | PVC | |
| Injection Pipe | PE | |
| Ventilating Pipe | PVC | |

*: May vary by model